

# FULL WRAP

Desk Division



# FULL WRAP

Desk Division

The FULL WRAP acoustic partition wall follows the trend of dematerialization where all unnecessary parts of an acoustic workstation partition have been removed. The prominent vertical V-cuts provides an elegant finish. A simple, adaptable and functional system that works with every standard workstations.

## ARTIKELNUMMER

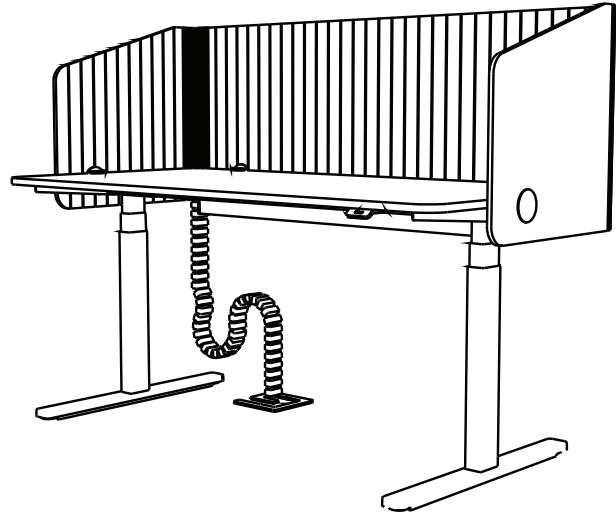
745.12.10.000.00

## DIMENSIONS

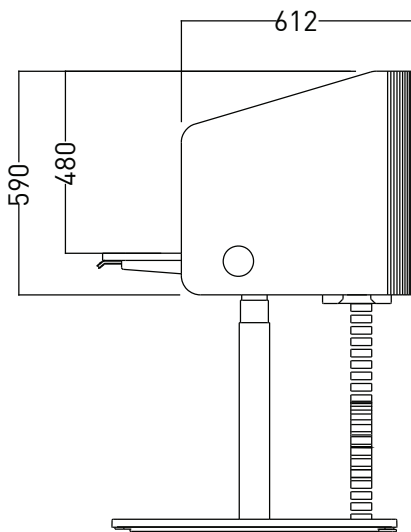
Length:	2792 mm	109.92"
Width:	590 mm	23.23"
Thickness:	12 mm	0.47"

## CONNECTION

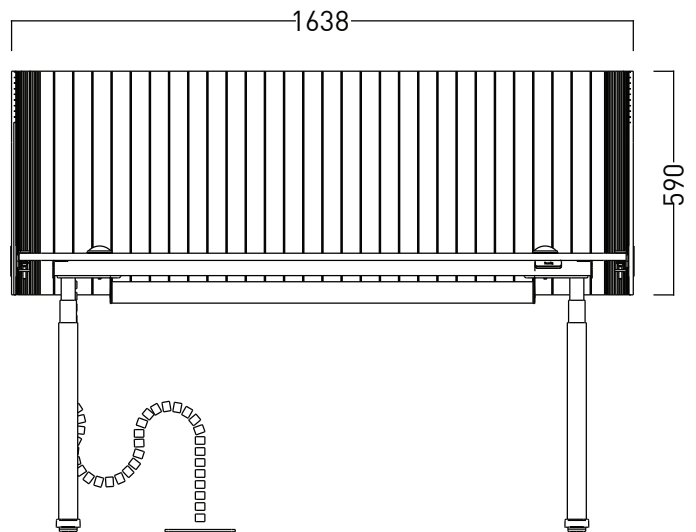
FULL WRAP is held by powder coated round metal adaptors, which can be mounted on to any standard workstation tabletop.



**SIDE**



**FRONT**



TECHNICAL DATA SHEET

# ARCHISONIC®

## Colour Families

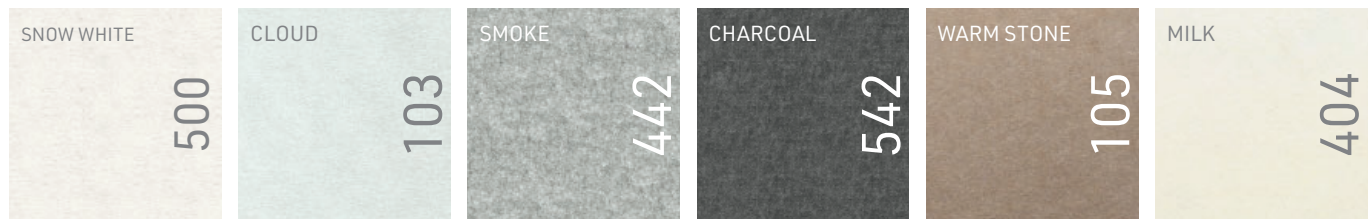
ARCHISONIC® is a high-performance sustainable acoustic absorber made from upcycled plastic bottles which is Cradle to Cradle certified and LEED accredited.

ARCHISONIC® is manufactured at the highest quality standards, yet slight color and surface deviations caused by the high degree of recycled fiber are an inevitable part of the product characteristics and do not claim warranty services.

Material varies in colour when shown in monitor or in print. Please request a material sample to verify colours.

### QUIET NEUTRALS

12 mm



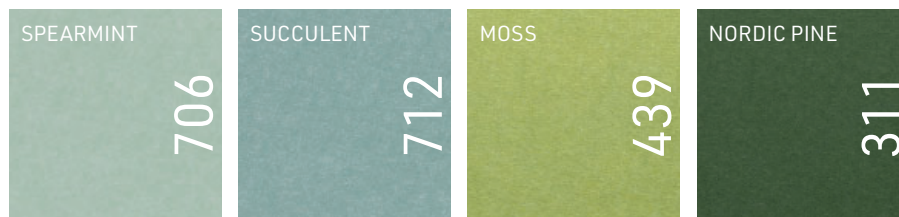
### WARM NEUTRALS

12 mm



### LIVING GREENS

12 mm



### ELEMENTAL BLUES

12 mm



## SOOTHING PASTELS

12 mm



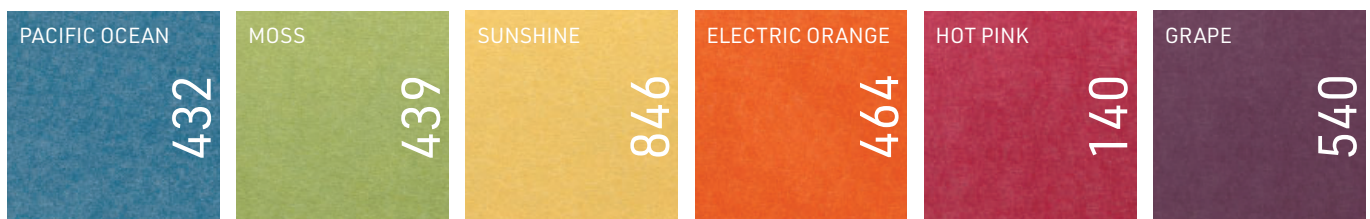
## ELEGANT DARKS

12 mm



## ENERGETIC BRIGHTS

12 mm



## PRIMARY PLAY

12 mm



## DIMENSIONS

ARCHISONIC® 24 mm 1800 x 2400 x 24 mm (70" x 94" x 0.94")  
ARCHISONIC® 12 mm 1200 x 2800 x 12 mm (47" x 10" x 0.47")

## COMPOSITION

100% PET (min. 60% post-consumer)

## FIRE TEST

DIN EN 13501-1 B-s1, d0  
ASTM E-84 Class A

## VOC EMISSION

CDPH 01350 Pass  
ISO 16000 (CDPH/EHLB/Standard Method V1.2.)  
EN 16516

## COLOUR FASTENESS

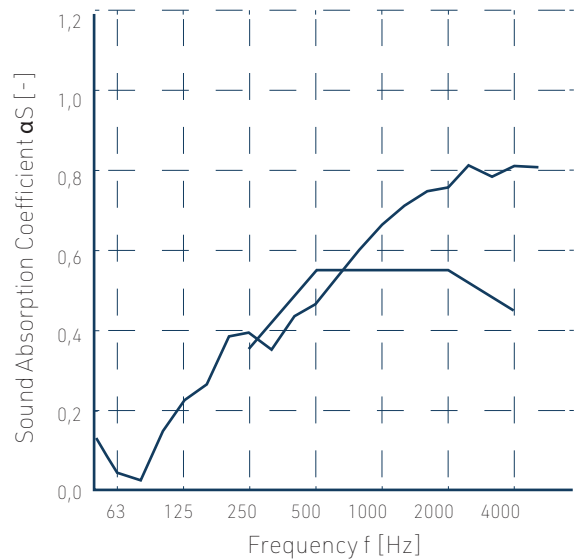
EN ISO 105-B02, A1 Grade 6

## SOUND ABSORPTION

DIN ISO 11654

24 mm aw 0.55 (no airgap)  
aw 0.65 (50 mm / 2" air gap)  
aw 0.90 (100 mm / 4" air gap)  
aw 0.95 (200 mm / 8" air gap)  
aw 0.95 (300 mm / 11" air gap).

12 mm aw 0.30 (no air gap)



## MATERIAL REUTILISATION

ARCHISONIC® 24 mm 88 plastic bottles/m<sup>2</sup>  
ARCHISONIC® 12 mm 53 plastic bottles/m<sup>2</sup>

## ENVIRONMENTAL

Cradle to Cradle Certified™  
Product qualifies for LEED v4 specifications on VOC emissions in LEED EQ credit (Low-emitting products)

## SUPPORTED BY

Climate KIC



# INFRA

## Desk Division



# INFRA 770

Desk Division

The INFRA acoustic partition wall follows the trend of dematerialization where all unnecessary parts of an acoustic workstation partition have been removed. A simple, adaptable and functional system that works with every standard workstation.

## ARTICLE NUMBER

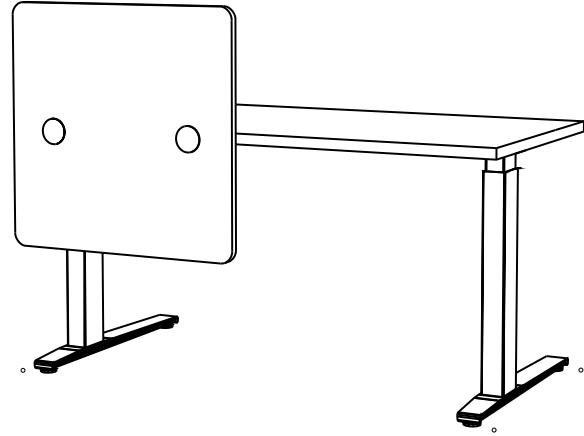
745.24.30.000.00

## DIMENSIONS

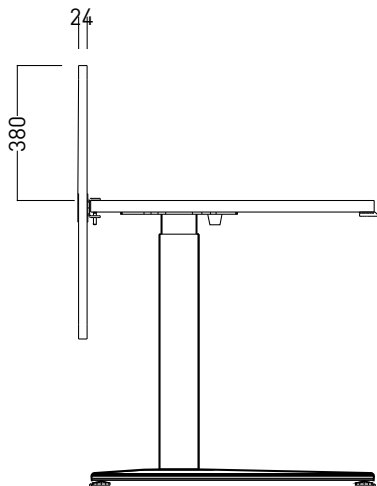
Length:	780 mm	30.70"
Width:	770 mm	30.31"
Thickness:	24mm	0.94"

## CONNECTION

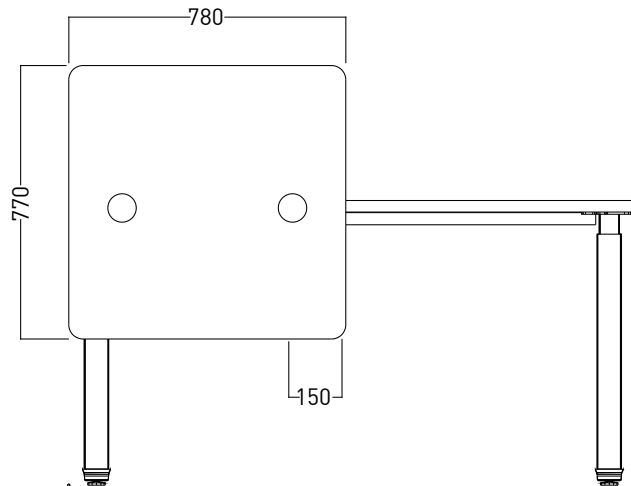
INFRA is held by powder coated circular brackets that can be mounted to any standard workstation tabletop.



**SIDE**



**FRONT**



# INFRA 770

Desk Division

The INFRA acoustic partition wall follows the trend of dematerialization where all unnecessary parts of an acoustic workstation partition have been removed. A simple, adaptable and functional system that works with every standard workstation.

## ARTICLE NUMBER

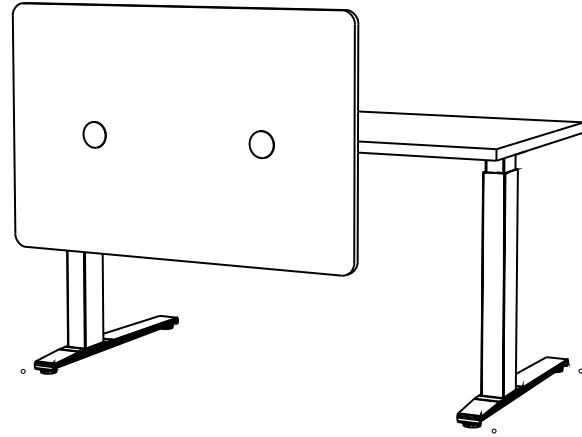
745.24.31.000.00

## DIMENSIONS

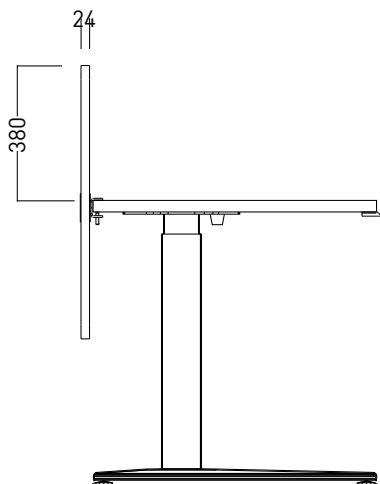
Length:	1180 mm	46.45"
Width:	770 mm	30.31"
Thickness:	24 mm	0.94"

## CONNECTION

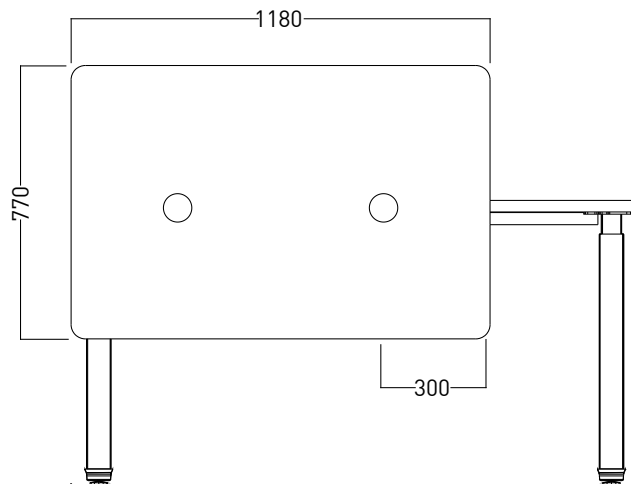
INFRA is held by powder coated circular brackets that can be mounted to any standard workstation tabletop.



**SIDE**



**FRONT**





# INFRA 770

Desk Division

The INFRA acoustic partition wall follows the trend of dematerialization where all unnecessary parts of an acoustic workstation partition have been removed. A simple, adaptable and functional system that works with every standard workstation.

## ARTICLE NUMBER

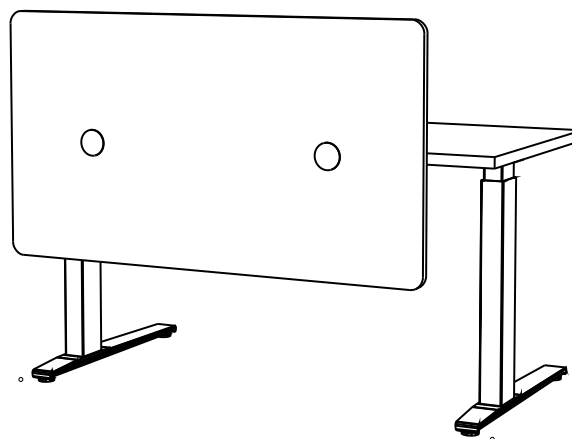
745.24.32.000.00

## DIMENSIONS

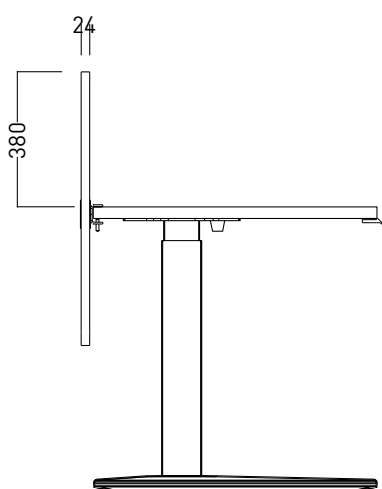
Length:	1400 mm	55.11"
Width:	770 mm	30.31"
Thickness:	24 mm	0.94"

## CONNECTION

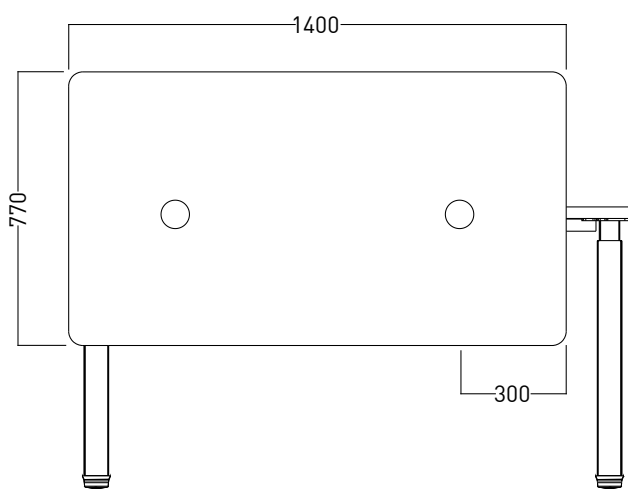
INFRA is held by powder coated circular brackets that can be mounted to any standard workstation tabletop.



**SIDE**



**FRONT**



TECHNICAL DATA SHEET

# INFRA 770

Desk Division

The INFRA acoustic partition wall follows the trend of dematerialization where all unnecessary parts of an acoustic workstation partition have been removed. A simple, adaptable and functional system that works with every standard workstation.

## ARTICLE NUMBER

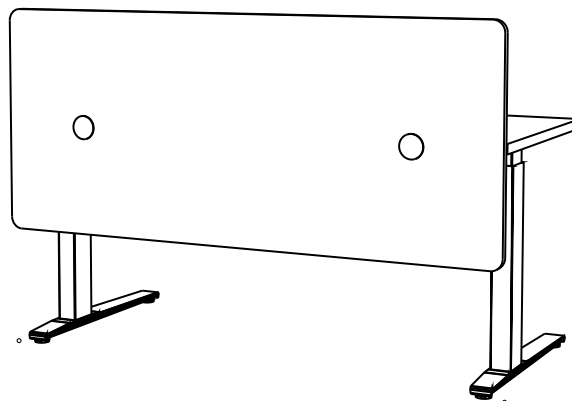
745.24.34.000.00

## DIMENSIONS

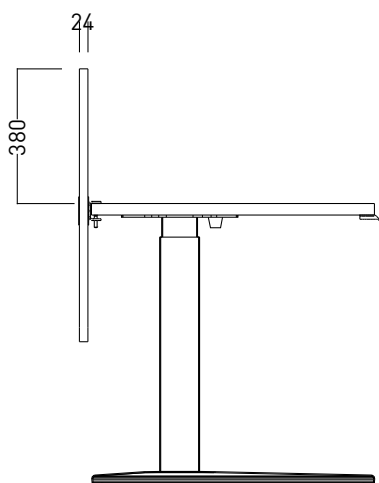
Length:	1800 mm	70.86"
Width:	770 mm	30.31"
Thickness:	24 mm	0.94"

## CONNECTION

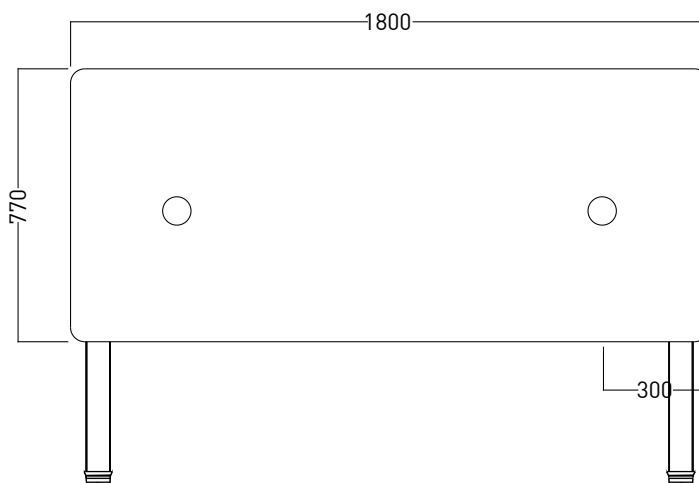
INFRA is held by powder coated circular brackets that can be mounted to any standard workstation tabletop.



**SIDE**



**FRONT**



TECHNICAL DATA SHEET

# INFRA 770

Desk Division

The INFRA acoustic partition wall follows the trend of dematerialization where all unnecessary parts of an acoustic workstation partition have been removed. A simple, adaptable and functional system that works with every standard workstation.

## ARTICLE NUMBER

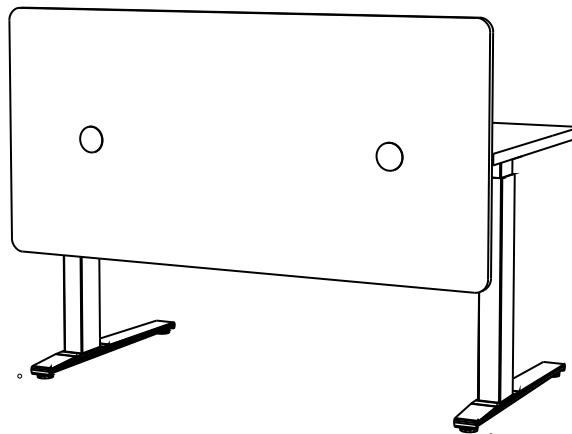
745.24.33.000.00

## DIMENSIONS

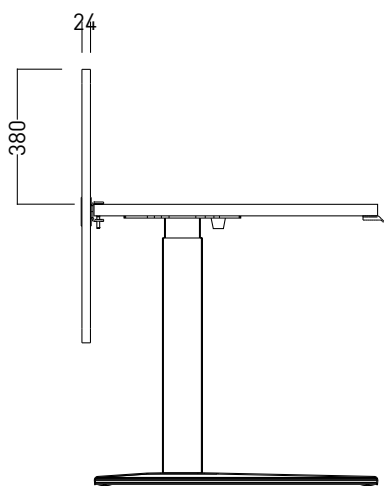
Length:	1600 mm	62.99"
Width:	770 mm	30.31"
Thickness:	24 mm	0.94"

## CONNECTION

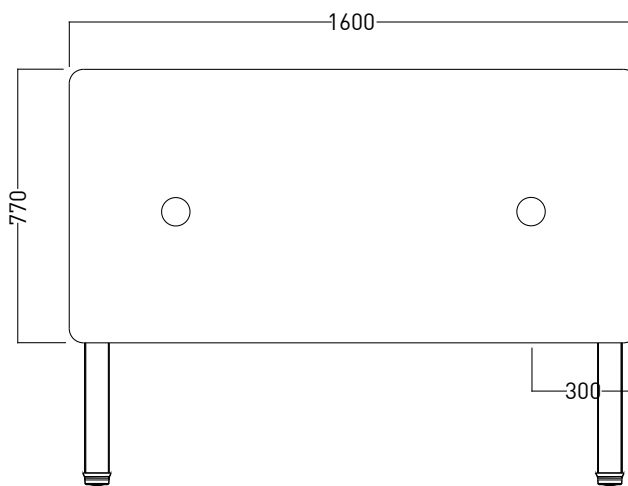
INFRA is held by powder coated circular brackets that can be mounted to any standard workstation tabletop.



**SIDE**



**FRONT**



# INFRA 870

Desk Division

The INFRA acoustic partition wall follows the trend of dematerialization where all unnecessary parts of an acoustic workstation partition have been removed. A simple, adaptable and functional system that works with every standard workstation.

## ARTICLE NUMBER

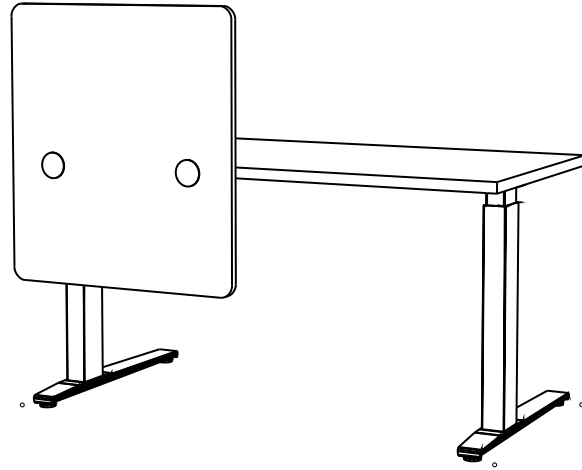
745.24.40.000.00

## DIMENSIONS

Length:	780 mm	30.70"
Width:	870 mm	34.25"
Thickness:	24mm	0.94"

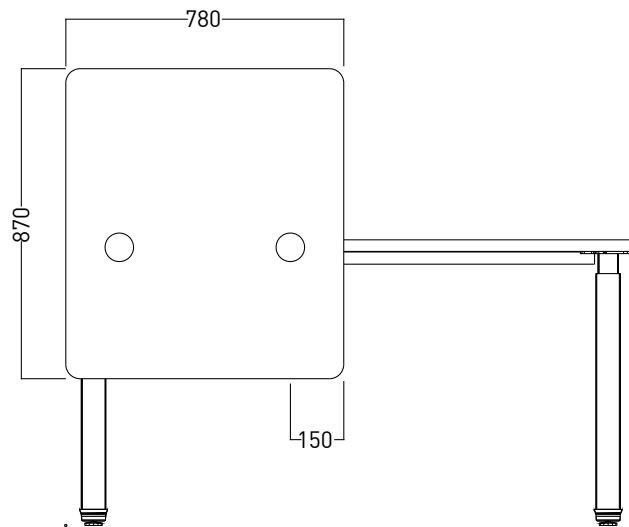
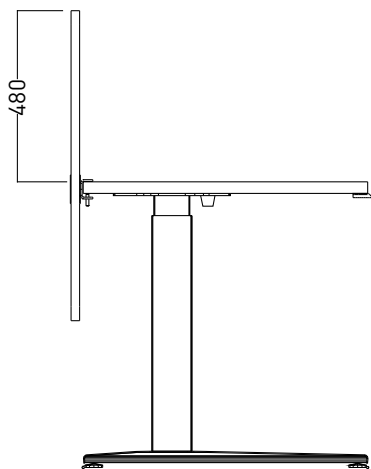
## CONNECTION

INFRA is held by powder coated circular brackets that can be mounted to any standard workstation tabletop.



**SIDE**

**FRONT**



# INFRA 870

Desk Division

The INFRA acoustic partition wall follows the trend of dematerialization where all unnecessary parts of an acoustic workstation partition have been removed. A simple, adaptable and functional system that works with every standard workstation.

## ARTICLE NUMBER

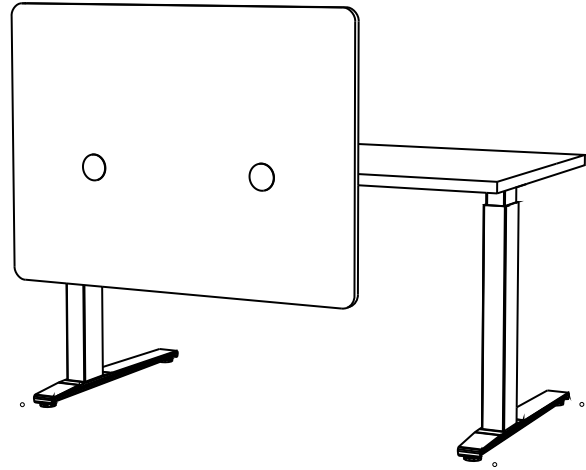
745.24.41.000.00

## DIMENSIONS

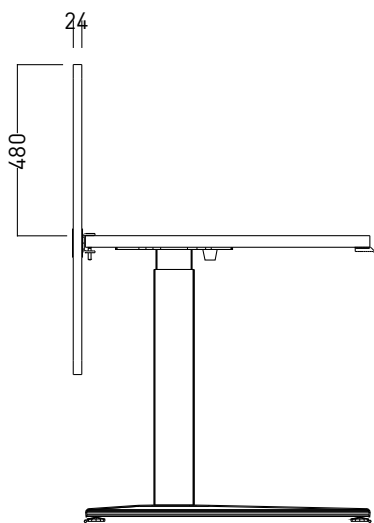
Length:	1180 mm	46.45"
Width:	870 mm	34.25"
Thickness:	24 mm	0.94"

## CONNECTION

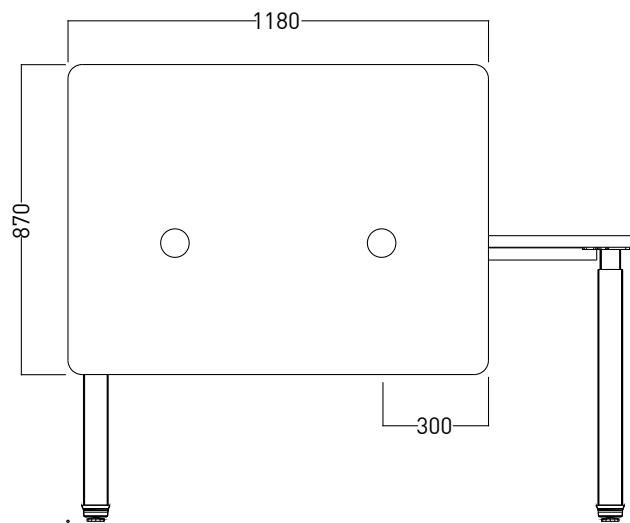
INFRA is held by powder coated circular brackets that can be mounted to any standard workstation tabletop.



**SIDE**



**FRONT**



# INFRA 870

Desk Division

The INFRA acoustic partition wall follows the trend of dematerialization where all unnecessary parts of an acoustic workstation partition have been removed. A simple, adaptable and functional system that works with every standard workstation.

## ARTICLE NUMBER

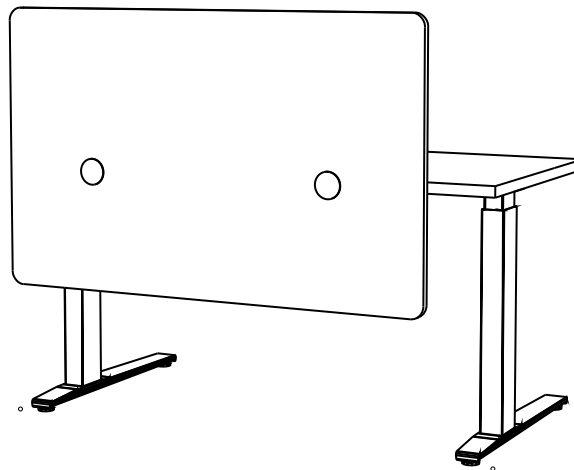
745.24.42.000.00

## DIMENSIONS

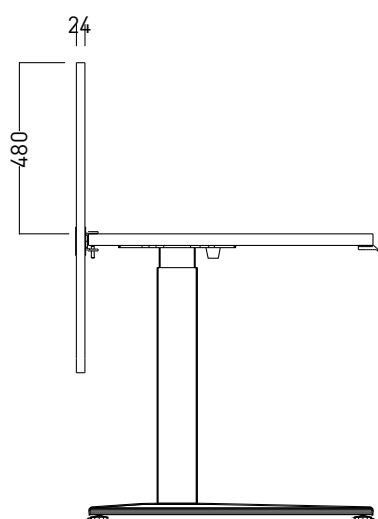
Length:	1400 mm	55.11"
Width:	870 mm	34.25"
Thickness:	24 mm	0.94"

## CONNECTION

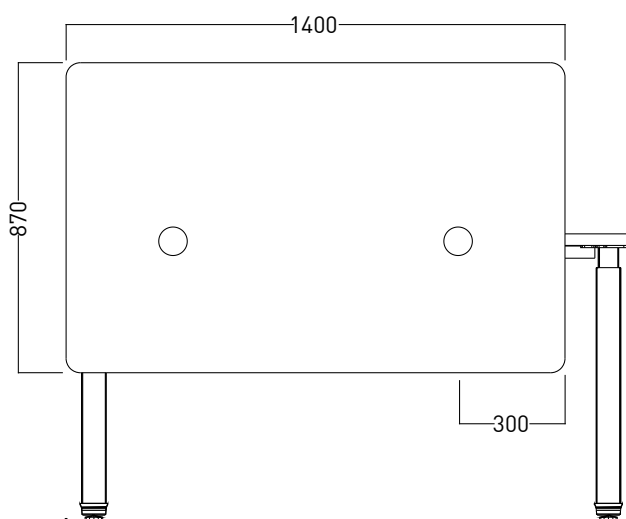
INFRA is held by powder coated circular brackets that can be mounted to any standard workstation tabletop.



**SIDE**



**FRONT**



TECHNICAL DATA SHEET

# INFRA 870

Desk Division

The INFRA acoustic partition wall follows the trend of dematerialization where all unnecessary parts of an acoustic workstation partition have been removed. A simple, adaptable and functional system that works with every standard workstation.

## ARTICLE NUMBER

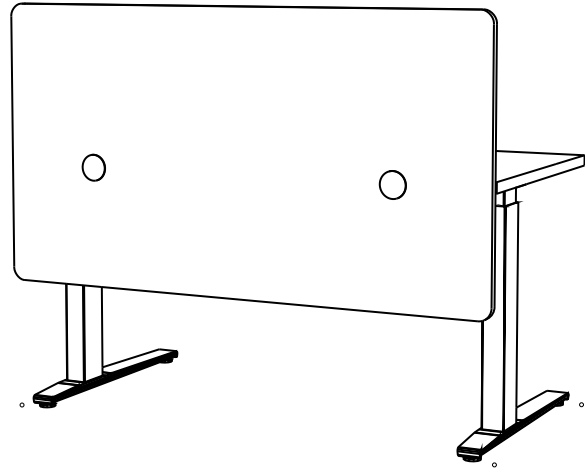
745.24.43.000.00

## DIMENSIONS

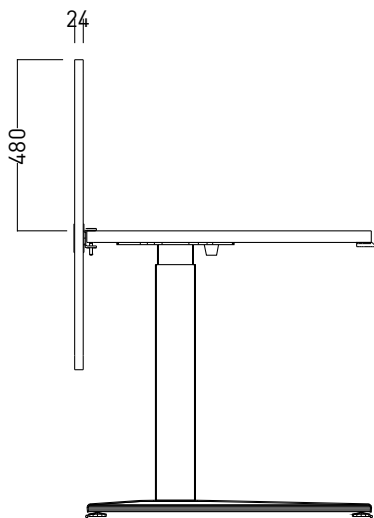
Length:	1600 mm	62.99"
Width:	870 mm	34.25"
Thickness:	24 mm	0.94"

## CONNECTION

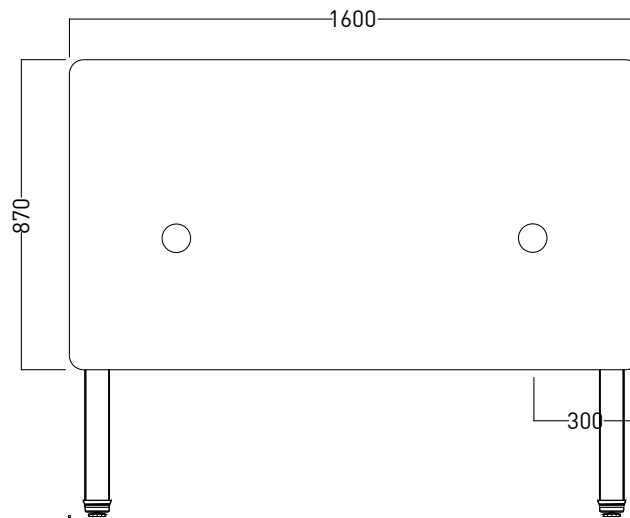
INFRA is held by powder coated circular brackets that can be mounted to any standard workstation tabletop.



**SIDE**



**FRONT**



# INFRA 870

Desk Division

The INFRA acoustic partition wall follows the trend of dematerialization where all unnecessary parts of an acoustic workstation partition have been removed. A simple, adaptable and functional system that works with every standard workstation.

## ARTICLE NUMBER

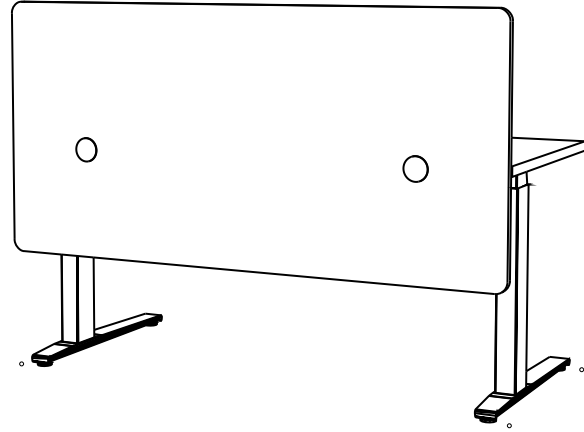
745.24.44.000.00

## DIMENSIONS

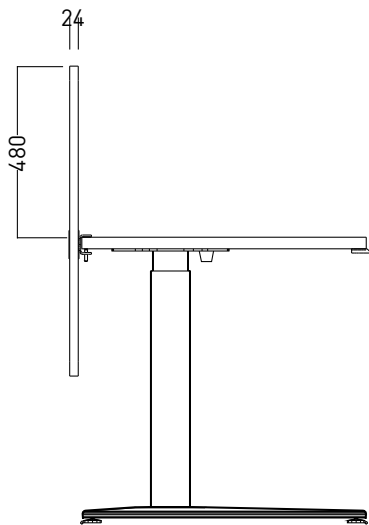
Length:	1800 mm	70.86"
Width:	870 mm	34.25"
Thickness:	24 mm	0.94"

## CONNECTION

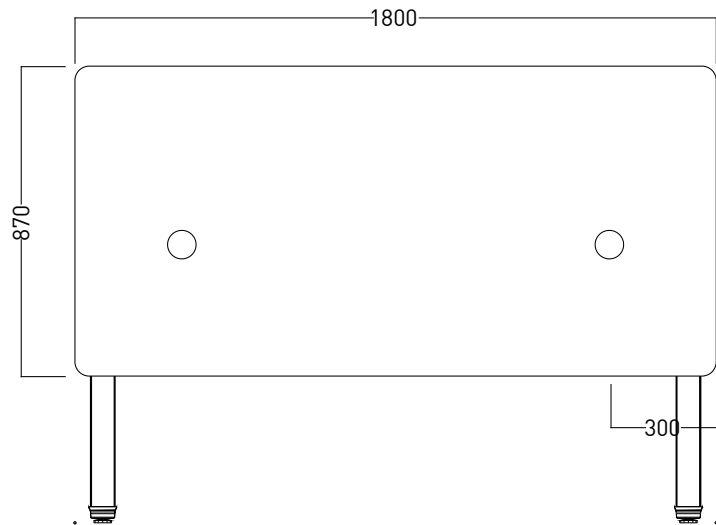
INFRA is held by powder coated circular brackets that can be mounted to any standard workstation tabletop.



**SIDE**



**FRONT**





# ARCHISONIC®

## Colour Families

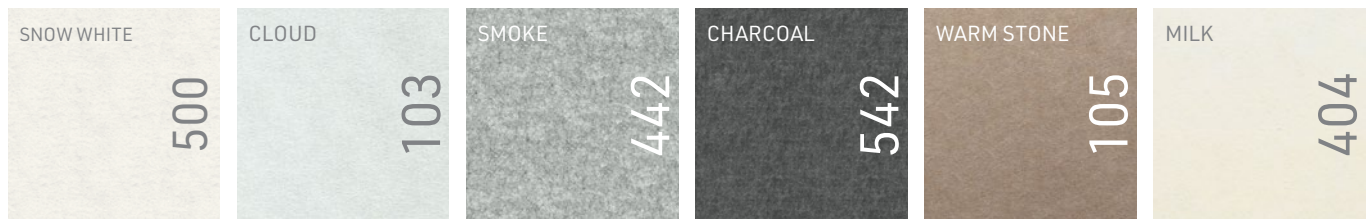
ARCHISONIC® is a high-performance sustainable acoustic absorber made from upcycled plastic bottles which is Cradle to Cradle certified and LEED accredited.

ARCHISONIC® is manufactured at the highest quality standards, yet slight color and surface deviations caused by the high degree of recycled fiber are an inevitable part of the product characteristics and do not claim warranty services.

Material varies in colour when shown in monitor or in print. Please request a material sample to verify colours.

### QUIET NEUTRALS

24 mm



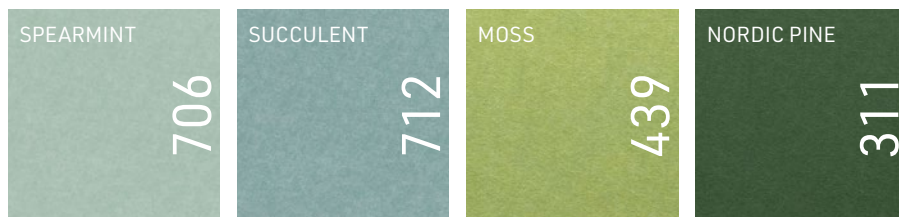
### WARM NEUTRALS

24 mm



### LIVING GREENS

24 mm



### ELEMENTAL BLUES

24 mm



## SOOTHING PASTELS

24 mm



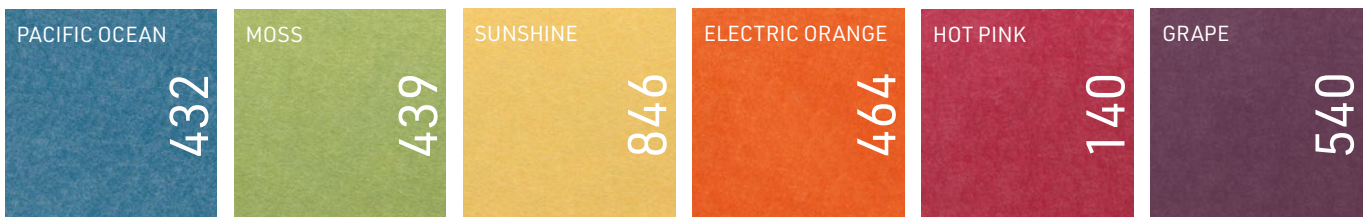
## ELEGANT DARKS

24 mm



## ENERGETIC BRIGHTS

24 mm



## PRIMARY PLAY

24 mm



## DIMENSIONS

ARCHISONIC® 24 mm 1800 x 2400 x 24 mm (70" x 94" x 0.94")  
ARCHISONIC® 12 mm 1200 x 2800 x 12 mm (47" x 10" x 0.47")

## COMPOSITION

100% PET (min. 60% post-consumer)

## FIRE TEST

DIN EN 13501-1 B-s1, d0  
ASTM E-84 Class A

## VOC EMISSION

CDPH 01350 Pass  
ISO 16000 (CDPH/EHLB/Standard Method V1.2.)  
EN 16516

## COLOUR FASTENESS

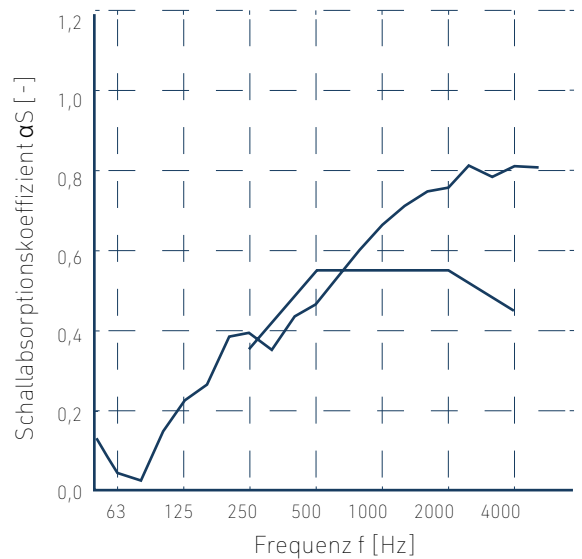
EN ISO 105-B02, A1 Grade 6

## SOUND ABSORPTION

DIN ISO 11654

24 mm aw 0.55 (no air gap)  
aw 0.65 (50 mm / 2" air gap)  
aw 0.90 (100 mm / 4" air gap)  
aw 0.95 (200 mm / 8" air gap)  
aw 0.95 (300 mm / 11" air gap).

12 mm aw 0.30 (no air gap)



## MATERIAL REUTILISATION

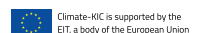
ARCHISONIC® 24 mm 88 plastic bottles/m<sup>2</sup>  
ARCHISONIC® 12 mm 53 plastic bottles/m<sup>2</sup>

## ENVIRONMENTAL

Cradle to Cradle Certified™  
Product qualifies for LEED v4 specifications on VOC emissions in LEED EQ credit (Low-emitting products)

## SUPPORTED BY

Climate KIC



# MURUS

## Floor Standing Division



# MURUS 1180

Floor Standing Division

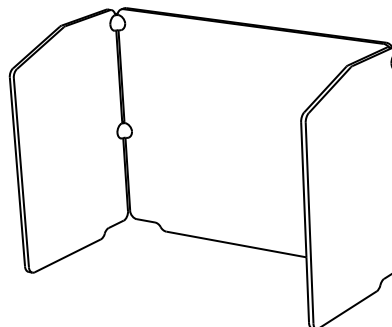
With the passion to build since childhood, Sven developed the ingenious MURUS room divider system. The individual wall elements can be simply attached together by metal connectors and can be adjusted or according to need with ease.

## ARTICLE NUMBER

742.24.10.000.00

## DIMENSIONS

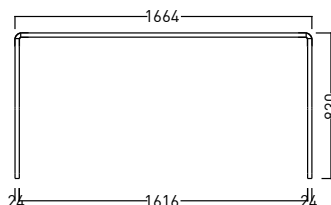
Depth:	800 mm	31.49"
Width:	1600 mm	62.99"
Height:	1180 mm	46.45"



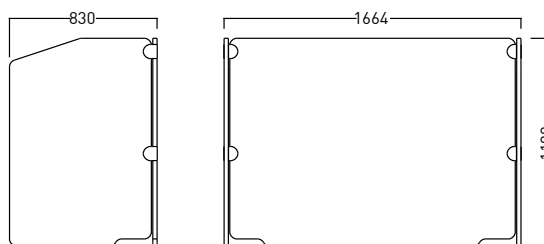
## CONNECTION

The individual parts are connected to each other tool-free and only using flexible metal plug-in connectors.

## PLAN



## SIDE ELEVATION



# MURUS 1180

Floor Standing Division

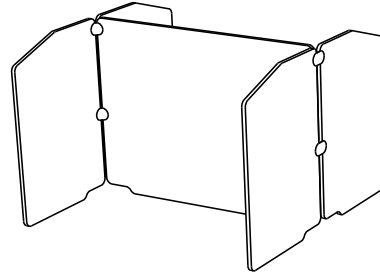
With the passion to build since childhood, Sven developed the ingenious MURUS room divider system. The individual wall elements can be simply attached together by metal connectors and can be adjusted or according to need with ease.

## ARTICLE NUMBER

742.24.11.000.00

## DIMENSIONS

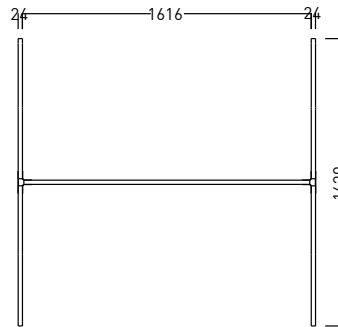
Depth:	1600 mm	62.99"
Width:	1600 mm	62.99"
Height:	1180 mm	46.45"



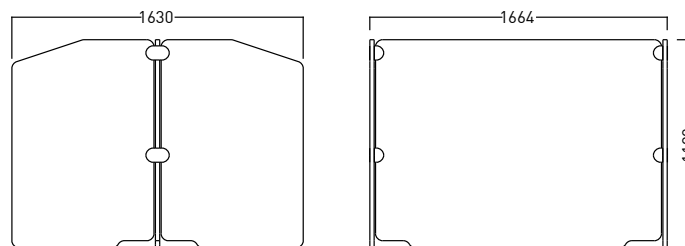
## CONNECTION

The individual parts are connected to each other tool-free and only using flexible metal plug-in connectors.

## PLAN



## SIDE ELEVATION



# MURUS 1180

Floor Standing Division

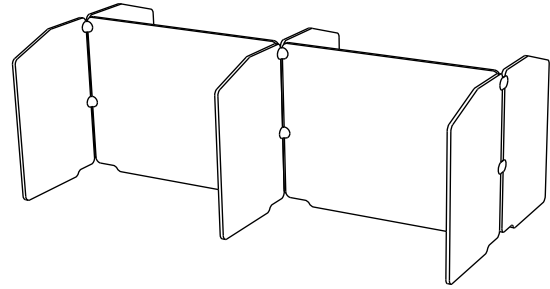
With the passion to build since childhood, Sven developed the ingenious MURUS room divider system. The individual wall elements can be simply attached together by metal connectors and can be adjusted according to need with ease.

## ARTICLE NUMBER

742.24.12.000.00

## DIMENSIONS

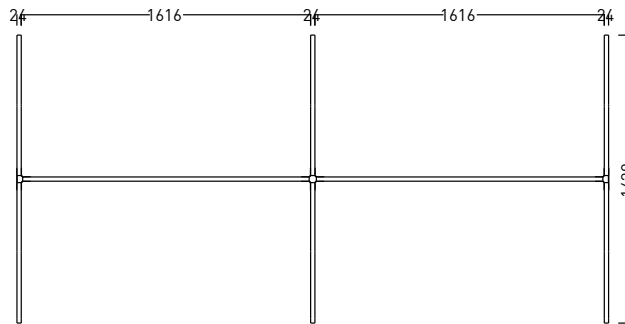
Depth:	1600 mm	62.99"
Width:	3200mm	125.987"
Height:	1180 mm	46.45"



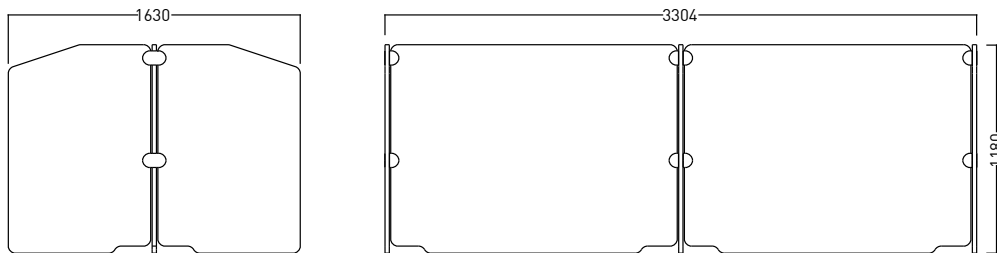
## CONNECTION

The individual parts are connected to each other tool-free and only using flexible metal plug-in connectors.

## PLAN



## SIDE ELEVATION



# MURUS 1180

Floor Standing Division

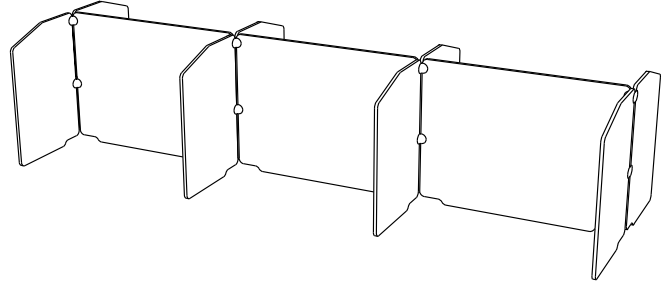
With the passion to build since childhood, Sven developed the ingenious MURUS room divider system. The individual wall elements can be simply attached together by metal connectors and can be adjusted according to need with ease.

## ARTICLE NUMBER

742.24.13.000.00

## DIMENSIONS

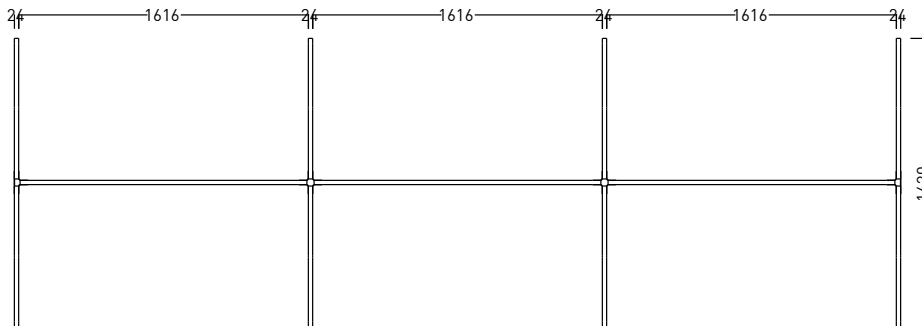
Depth:	1600 mm	62.99"
Width:	4800mm	188.97"
Height:	1180 mm	46.45"



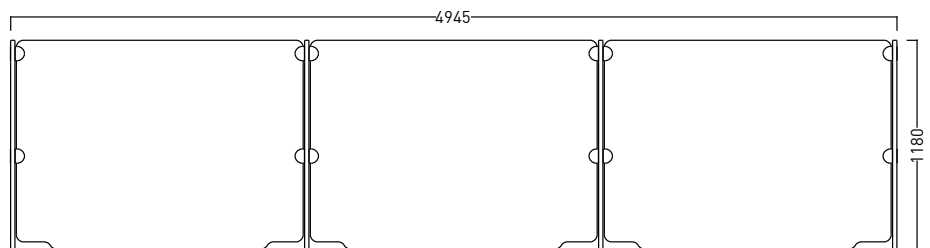
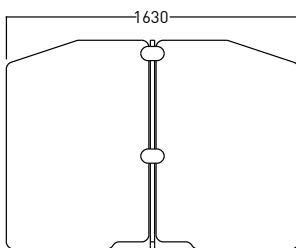
## CONNECTION

The individual parts are connected to each other tool-free and only using flexible metal plug-in connectors.

## PLAN



## SIDE ELEVATION



TECHNICAL DATA SHEET



# MURUS 1420

Floor Standing Division

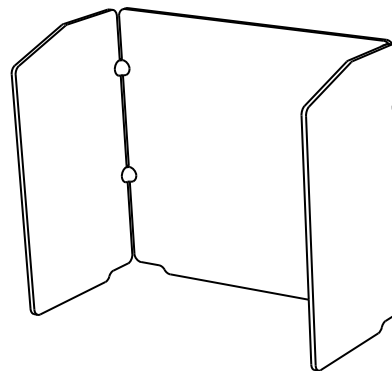
With the passion to build since childhood, Sven developed the ingenious MURUS room divider system. The individual wall elements can be simply attached together by metal connectors and can be adjusted or according to need with ease.

## ARTICLE NUMBER

742.24.20.000.00

## DIMENSIONS

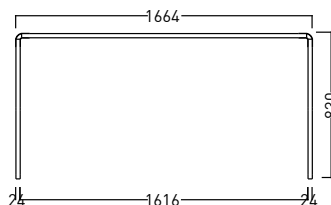
Depth:	800 mm	31.49"
Width:	1600 mm	62.99"
Height:	1420 mm	55.90"



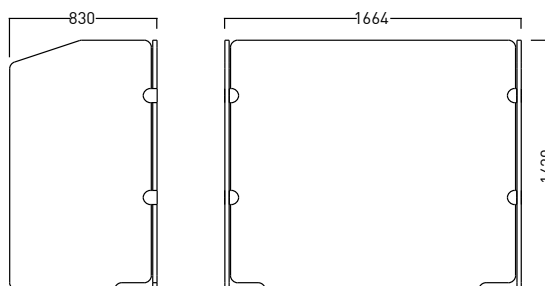
## CONNECTION

The individual parts are connected to each other tool-free and only using flexible metal plug-in connectors.

## PLAN



## SIDE ELEVATION



# MURUS 1420

## Floor Standing Division

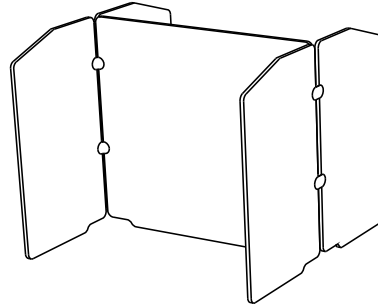
With the passion to build since childhood, Sven developed the ingenious MURUS room divider system. The individual wall elements can be simply attached together by metal connectors and can be adjusted according to need with ease.

### ARTICLE NUMBER

742.24.21.000.00

### DIMENSIONS

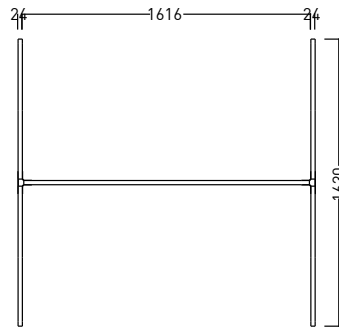
Depth:	1600 mm	62.99"
Width:	1600 mm	62.99"
Height:	1420 mm	55.90"



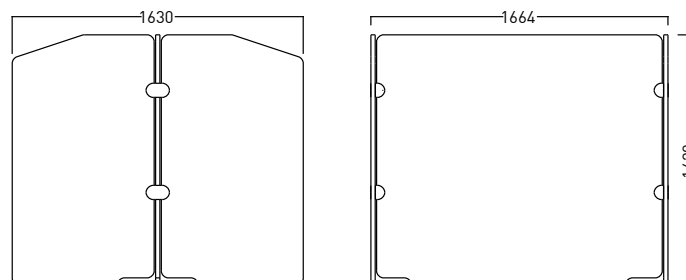
### CONNECTION

The individual parts are connected to each other tool-free and only using flexible metal plug-in connectors.

### PLAN



### SIDE ELEVATION



# MURUS 1420

Floor Standing Division

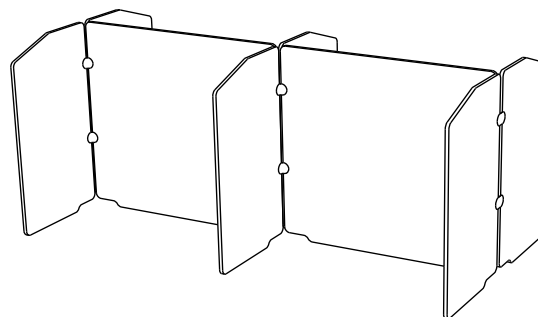
With the passion to build since childhood, Sven developed the ingenious MURUS room divider system. The individual wall elements can be simply attached together by metal connectors and can be adjusted according to need with ease.

## ARTICLE NUMBER

742.24.22.000.00

## DIMENSIONS

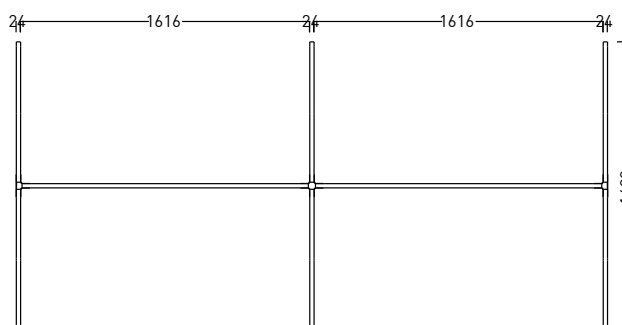
Depth:	1600 mm	62.99"
Width:	3200mm	125.987"
Height:	1420 mm	55.90"



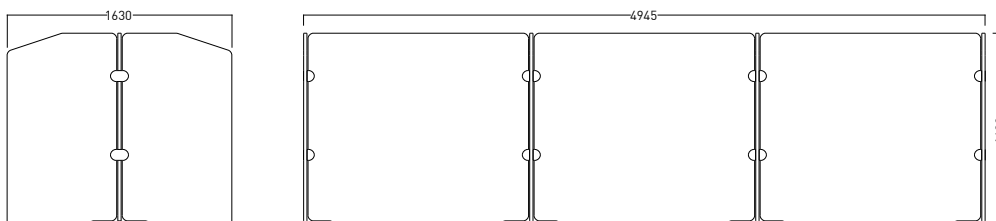
## CONNECTION

The individual parts are connected to each other tool-free and only using flexible metal plug-in connectors.

## PLAN



## SIDE ELEVATION



# MURUS 1420

Floor Standing Division

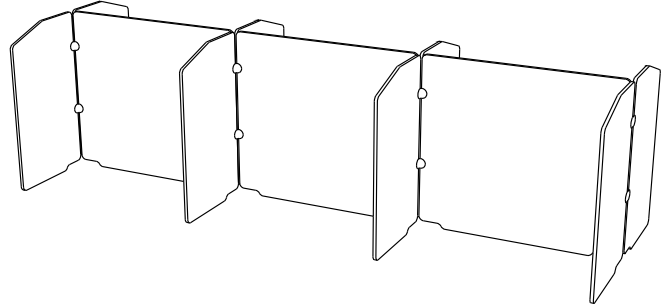
With the passion to build since childhood, Sven developed the ingenious MURUS room divider system. The individual wall elements can be simply attached together by metal connectors and can be adjusted according to need with ease.

## ARTICLE NUMBER

742.24.13.000.00

## DIMENSIONS

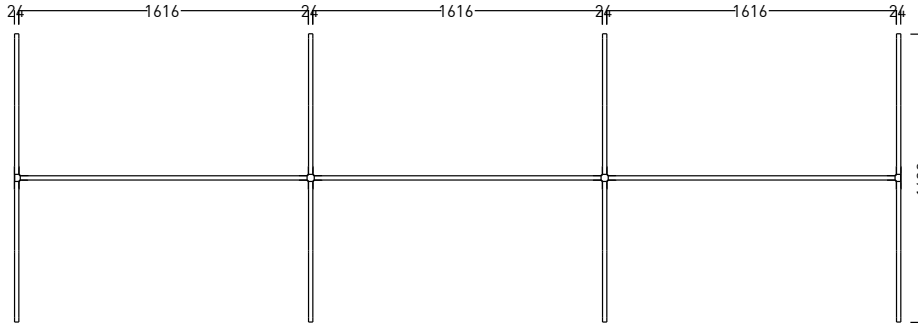
Depth:	1600 mm	62.99"
Width:	4800mm	188.97"
Height:	1420 mm	55.90"



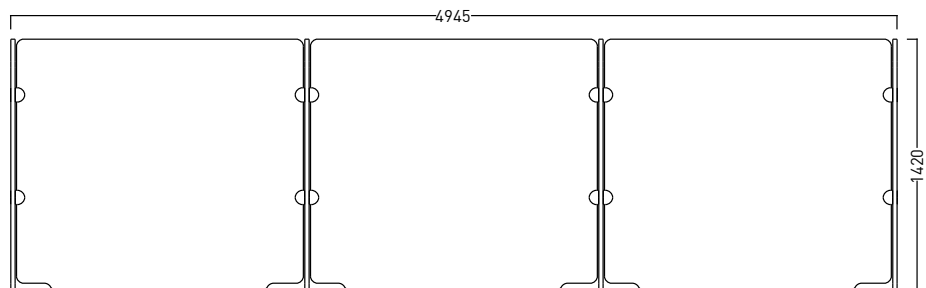
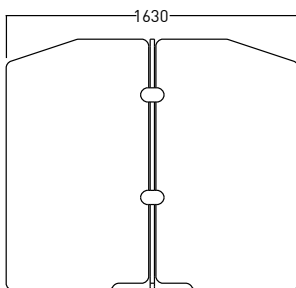
## CONNECTION

The individual parts are connected to each other tool-free and only using flexible metal plug-in connectors.

## PLAN



## SIDE ELEVATION



TECHNICAL DATA SHEET

# MURUS 1800

## Floor Standing Division

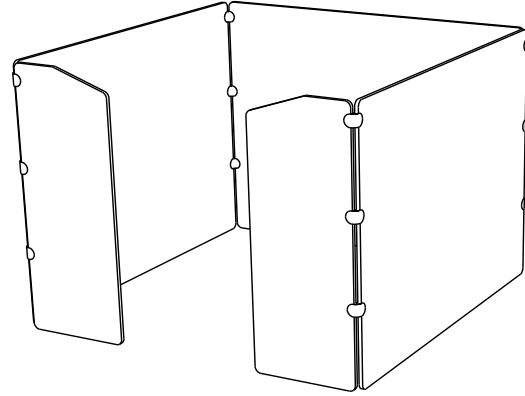
With the passion to build since childhood, Sven developed the ingenious MURUS room divider system. The individual wall elements can be simply attached together by metal connectors and can be adjusted or according to need with ease.

### ARTICLE NUMBER

742.24.60.000.00

### DIMENSIONS

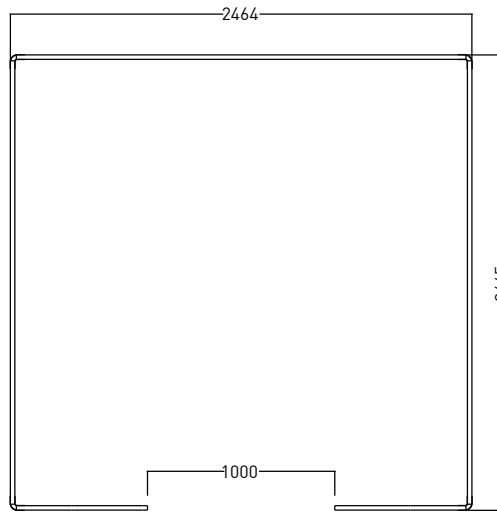
Depth:	2400 mm	94.48"
Width:	2400mm	94.48"
Height:	1800 mm	70.86"



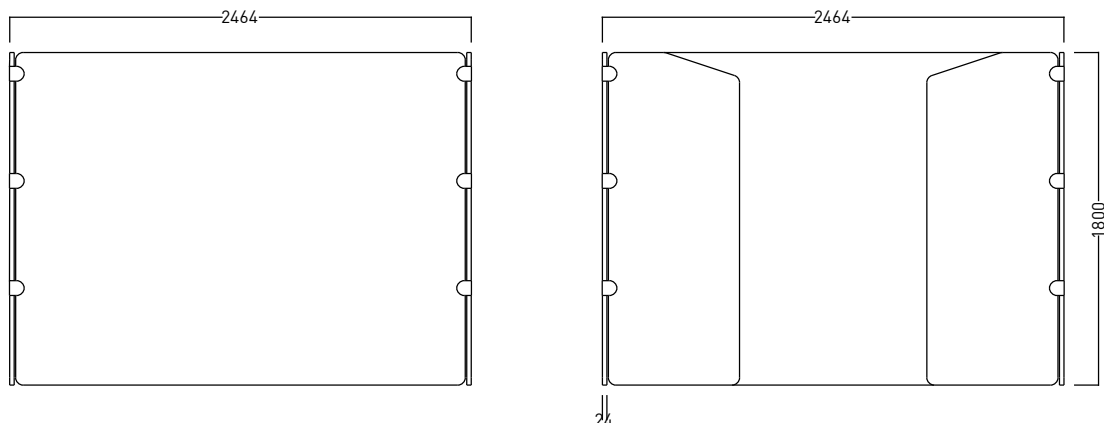
### CONNECTION

The individual parts are connected to each other tool-free and only using flexible metal plug-in connectors.

### PLAN



### SIDE ELEVATION



# ARCHISONIC®

## Colour Families

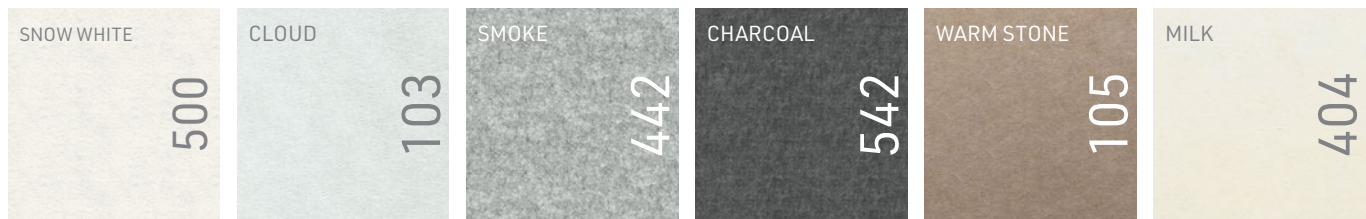
ARCHISONIC® is a high-performance sustainable acoustic absorber made from upcycled plastic bottles which is Cradle to Cradle certified and LEED accredited.

ARCHISONIC® is manufactured at the highest quality standards, yet slight color and surface deviations caused by the high degree of recycled fiber are an inevitable part of the product characteristics and do not claim warranty services.

Material varies in colour when shown in monitor or in print. Please request a material sample to verify colours.

### QUIET NEUTRALS

24 mm



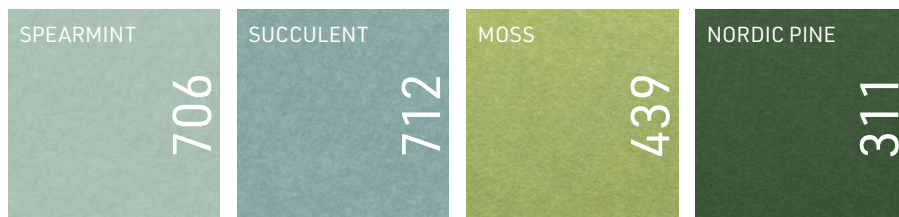
### WARM NEUTRALS

24 mm



### LIVING GREENS

24 mm



### ELEMENTAL BLUES

24 mm



## SOOTHING PASTELS

24 mm



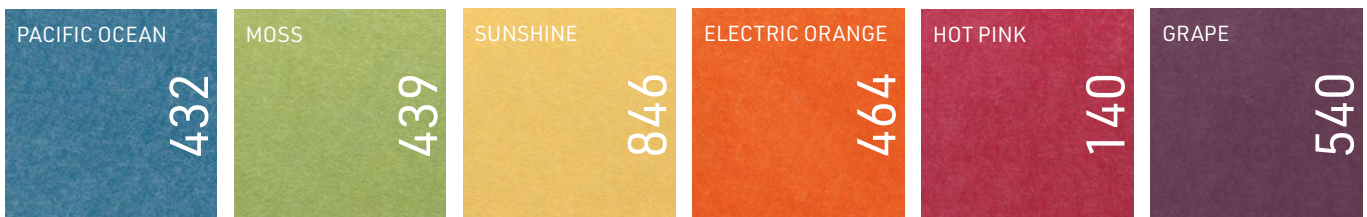
## ELEGANT DARKS

24 mm



## ENERGETIC BRIGHTS

24 mm



## PRIMARY PLAY

24 mm



## DIMENSIONS

ARCHISONIC® 24 mm 1800 x 2400 x 24 mm (70" x 94" x 0.94")  
ARCHISONIC® 12 mm 1200 x 2800 x 12 mm (47" x 10" x 0.47")

## COMPOSITION

100% PET (min. 60% post-consumer)

## FIRE TEST

DIN EN 13501-1 B-s1, d0  
ASTM E-84 Class A

## VOC EMISSION

CDPH 01350 Pass  
ISO 16000 (CDPH/EHLB/Standard Method V1.2.)  
EN 16516

## COLOUR FASTENESS

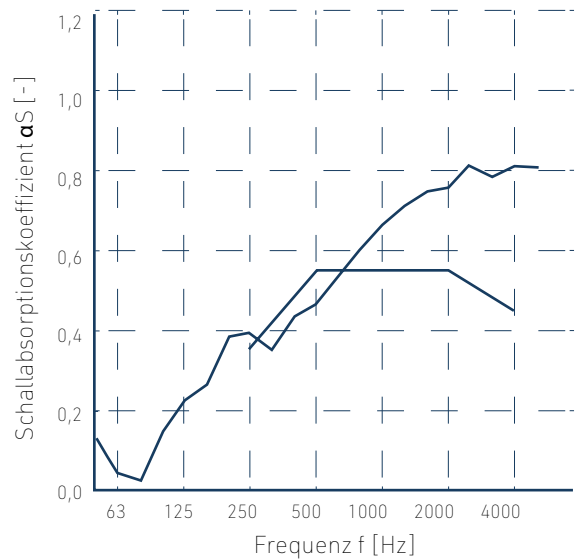
EN ISO 105-B02, A1 Grade 6

## SOUND ABSORPTION

DIN ISO 11654

24 mm aw 0.55 (no airgap)  
aw 0.65 (50 mm / 2" air gap)  
aw 0.90 (100 mm / 4" air gap)  
aw 0.95 (200 mm / 8" air gap)  
aw 0.95 (300 mm / 11" air gap).

12 mm aw 0.30 (no air gap)



## MATERIAL REUTILISATION

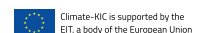
ARCHISONIC® 24 mm 88 plastic bottles/m<sup>2</sup>  
ARCHISONIC® 12 mm 53 plastic bottles/m<sup>2</sup>

## ENVIRONMENTAL

Cradle to Cradle Certified™  
Product qualifies for LEED v4 specifications on VOC emissions in LEED EQ credit (Low-emitting products)

## SUPPORTED BY

Climate KIC





# SUPRA

## Desk Division



# SUPRA 450

Desk Division

The SUPRA acoustic partition wall follows the trend of dematerialization where all unnecessary parts of an acoustic workstation partition have been removed. A simple, adaptable and functional system that works with sliding workstation tabletop.

## ARTICLE NUMBER

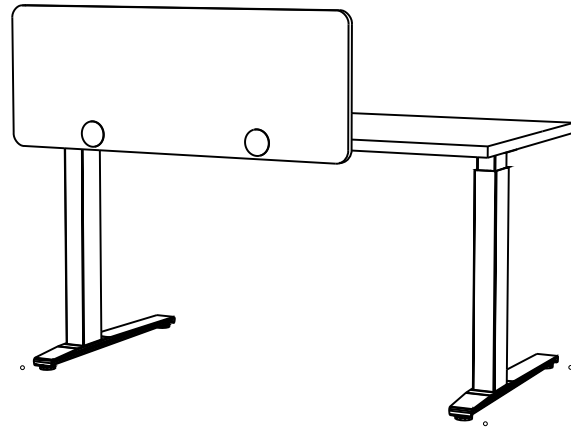
745.24.10.000.00

## DIMENSIONS

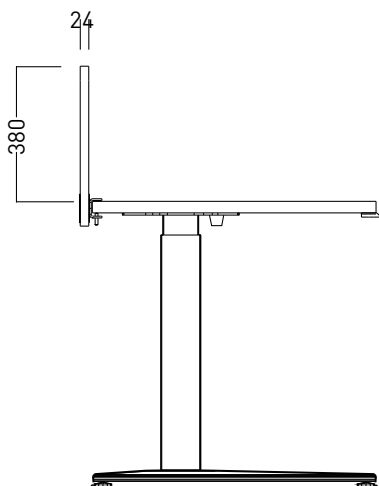
Length:	1180 mm	46.45"
Width:	450 mm	17.71"
Thickness:	24mm	0.94"

## CONNECTION

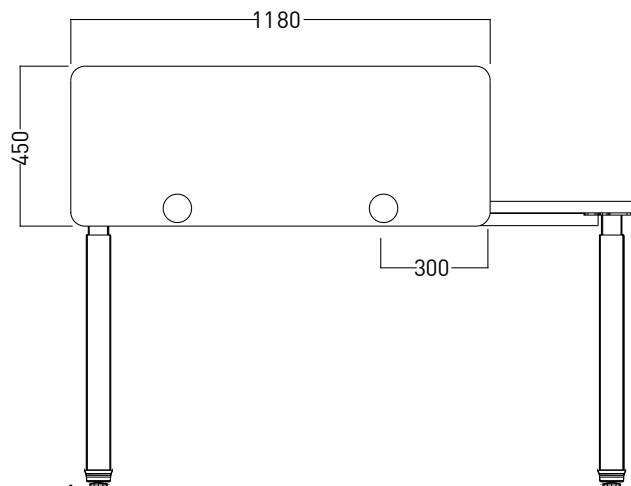
SUPRA is held by powder coated circular brackets that can be mounted to any standard workstation tabletop.



**SIDE**



**FRONT**



# SUPRA 450

Desk Division

The SUPRA acoustic partition wall follows the trend of dematerialization where all unnecessary parts of an acoustic workstation partition have been removed. A simple, adaptable and functional system that works with sliding workstation tabletop.

## ARTICLE NUMBER

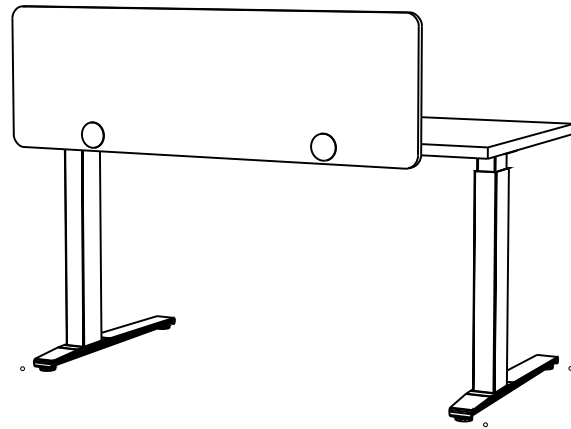
745.24.11.000.00

## DIMENSIONS

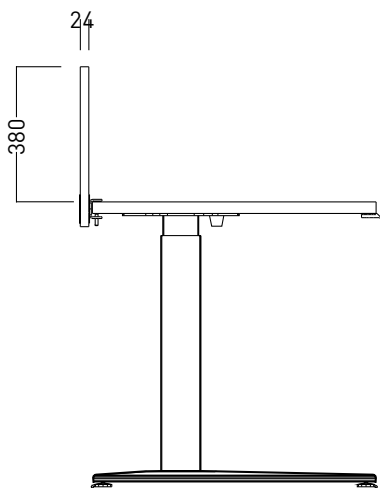
Length:	1400 mm	46.45"
Width:	450 mm	55.11"
Thickness:	24mm	0.94"

## CONNECTION

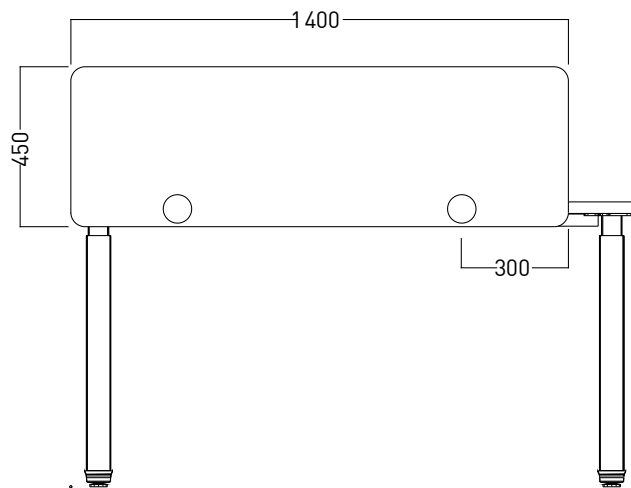
SUPRA is held by powder coated circular brackets that can be mounted to any standard workstation tabletop.



**SIDE**



**FRONT**



# SUPRA 450

Desk Division

The SUPRA acoustic partition wall follows the trend of dematerialization where all unnecessary parts of an acoustic workstation partition have been removed. A simple, adaptable and functional system that works with sliding workstation tabletop.

## ARTICLE NUMBER

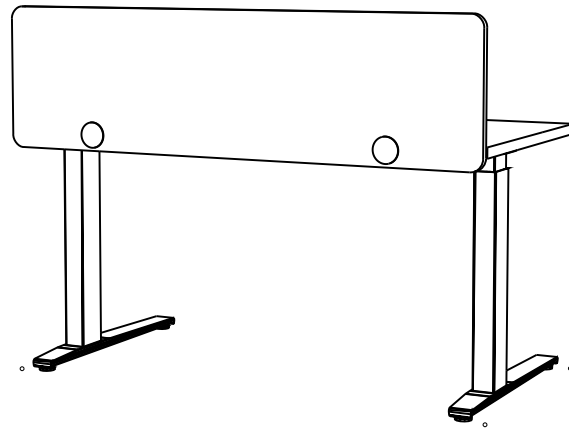
745.24.12.000.00

## DIMENSIONS

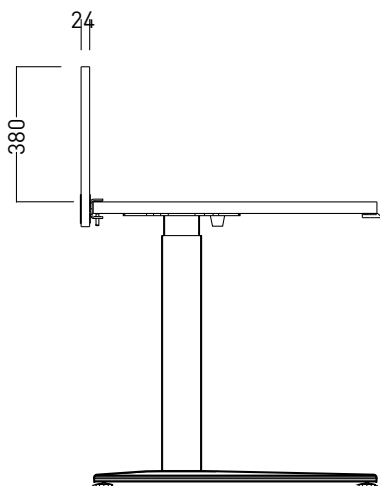
Length:	1600 mm	62.99"
Width:	450 mm	55.11"
Thickness:	24mm	0.94"

## CONNECTION

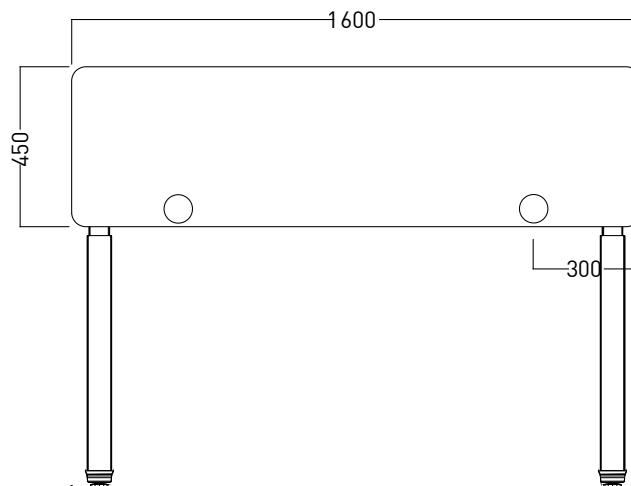
SUPRA is held by powder coated circular brackets that can be mounted to any standard workstation tabletop.



**SIDE**



**FRONT**



# SUPRA 450

Desk Division

The SUPRA acoustic partition wall follows the trend of dematerialization where all unnecessary parts of an acoustic workstation partition have been removed. A simple, adaptable and functional system that works with sliding workstation tabletop.

## ARTICLE NUMBER

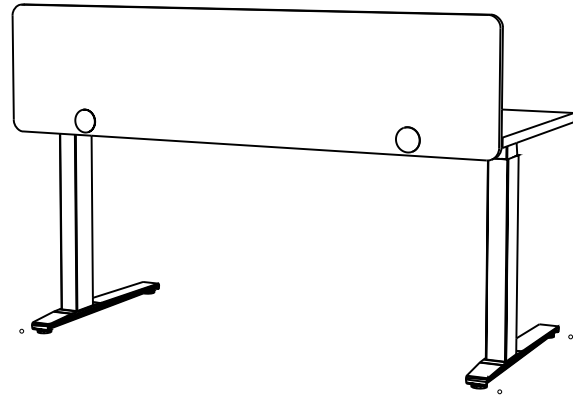
745.24.13.000.00

## DIMENSIONS

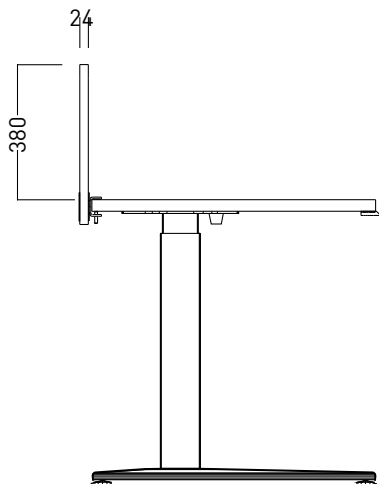
Length:	1800 mm	70.86"
Width:	450 mm	55.11"
Thickness:	24mm	0.94"

## CONNECTION

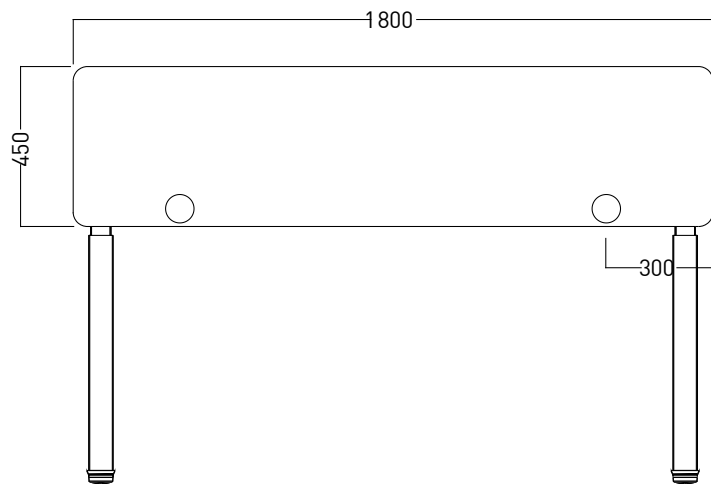
SUPRA is held by powder coated circular brackets that can be mounted to any standard workstation tabletop.



**SIDE**



**FRONT**



# SUPRA 550

Desk Division

The SUPRA acoustic partition wall follows the trend of dematerialization where all unnecessary parts of an acoustic workstation partition have been removed. A simple, adaptable and functional system that works with sliding workstation tabletop.

## ARTICLE NUMBER

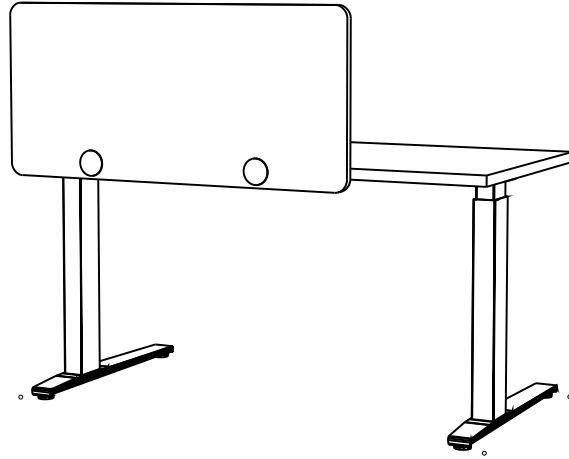
745.24.10.000.00

## DIMENSIONS

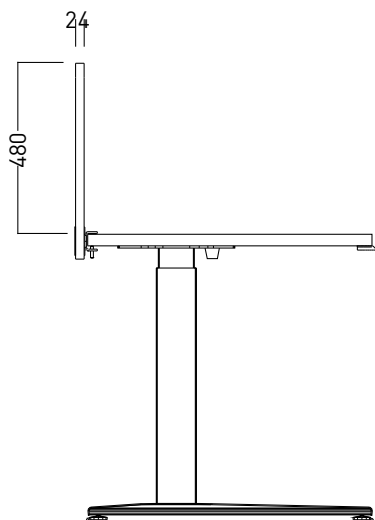
Length:	1180 mm	46.45"
Width:	550 mm	51.65"
Thickness:	24mm	0.94"

## CONNECTION

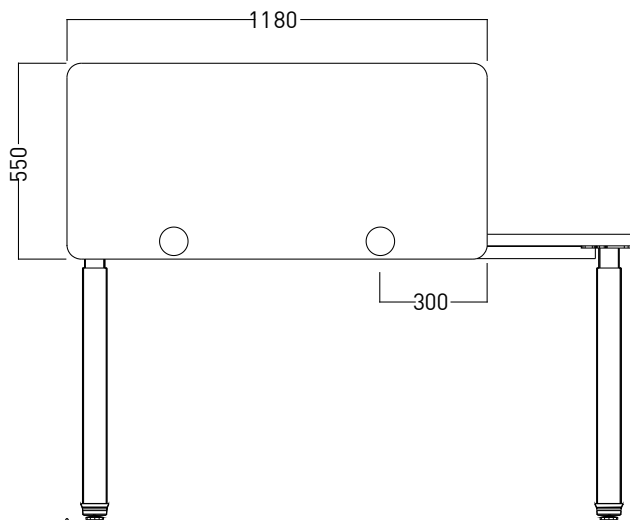
SUPRA is held by powder coated circular brackets that can be mounted to any standard workstation tabletop.



**SIDE**



**FRONT**



# SUPRA 550

Desk Division

The SUPRA acoustic partition wall follows the trend of dematerialization where all unnecessary parts of an acoustic workstation partition have been removed. A simple, adaptable and functional system that works with sliding workstation tabletop.

## ARTICLE NUMBER

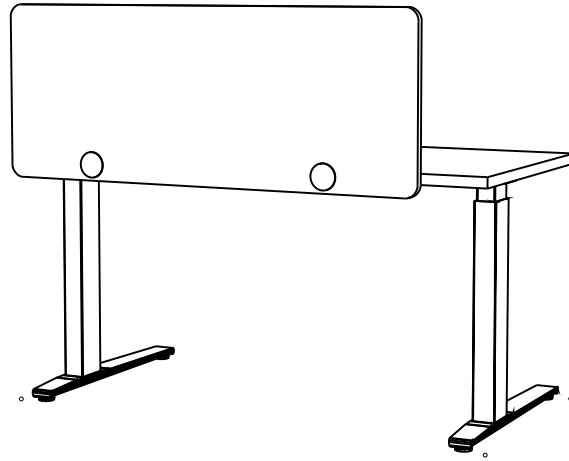
745.24.11.000.00

## DIMENSIONS

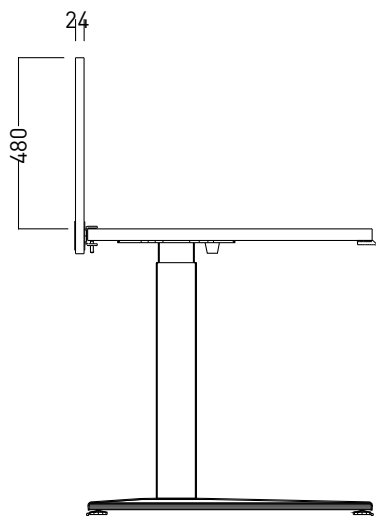
Length:	1400 mm	46.45"
Width:	550 mm	51.65"
Thickness:	24mm	0.94"

## CONNECTION

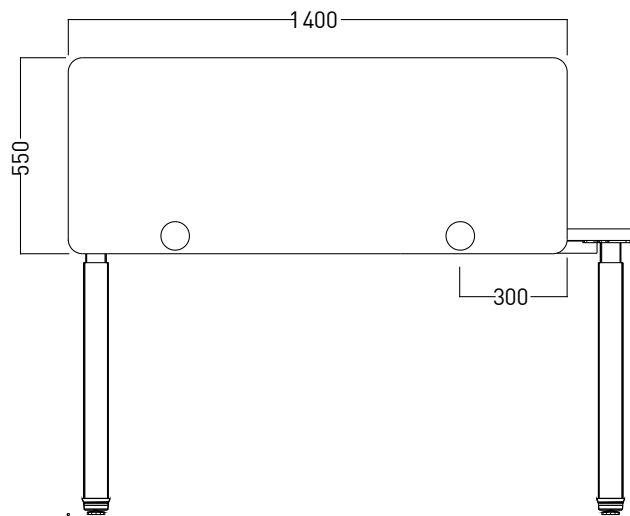
SUPRA is held by powder coated circular brackets that can be mounted to any standard workstation tabletop.



**SIDE**



**FRONT**



# SUPRA 550

Desk Division

The SUPRA acoustic partition wall follows the trend of dematerialization where all unnecessary parts of an acoustic workstation partition have been removed. A simple, adaptable and functional system that works with sliding workstation tabletop.

## ARTICLE NUMBER

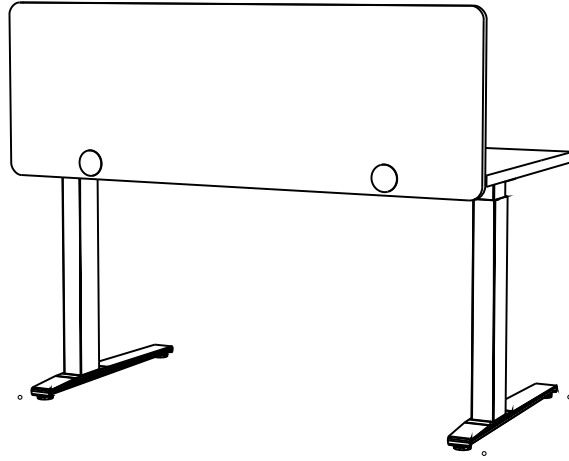
745.24.12.000.00

## DIMENSIONS

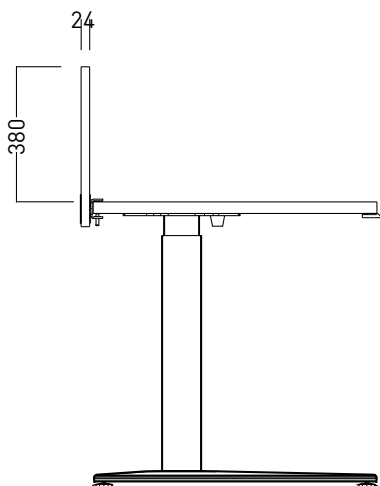
Length:	1600 mm	62.99"
Width:	550 mm	51.65"
Thickness:	24mm	0.94"

## CONNECTION

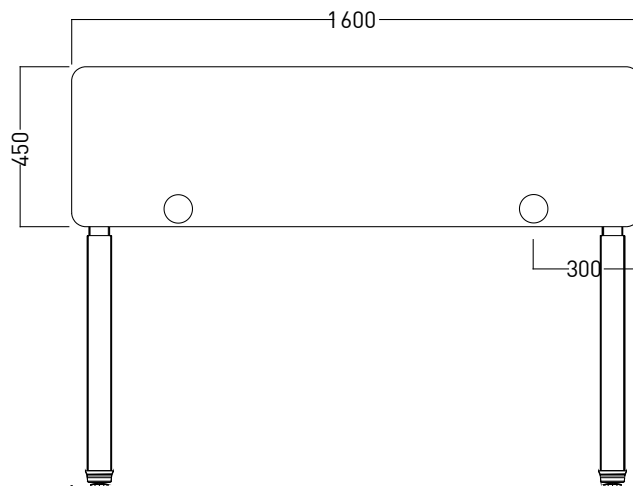
SUPRA is held by powder coated circular brackets that can be mounted to any standard workstation tabletop.



**SIDE**



**FRONT**





# SUPRA 550

Desk Division

The SUPRA acoustic partition wall follows the trend of dematerialization where all unnecessary parts of an acoustic workstation partition have been removed. A simple, adaptable and functional system that works with sliding workstation tabletop.

## ARTICLE NUMBER

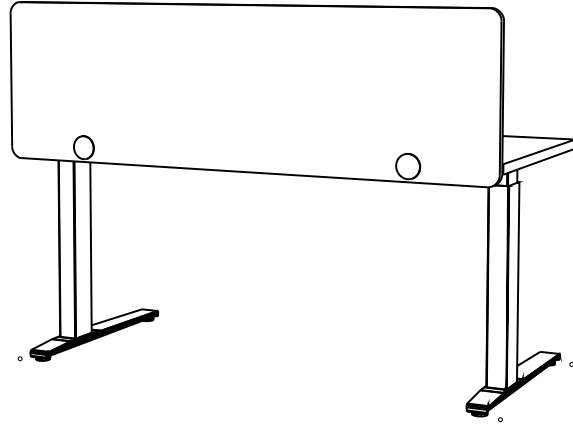
745.24.13.000.00

## DIMENSIONS

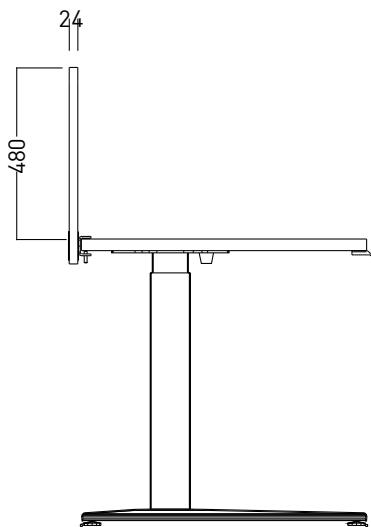
Length:	1800 mm	70.86"
Width:	550 mm	51.65"
Thickness:	24mm	0.94"

## CONNECTION

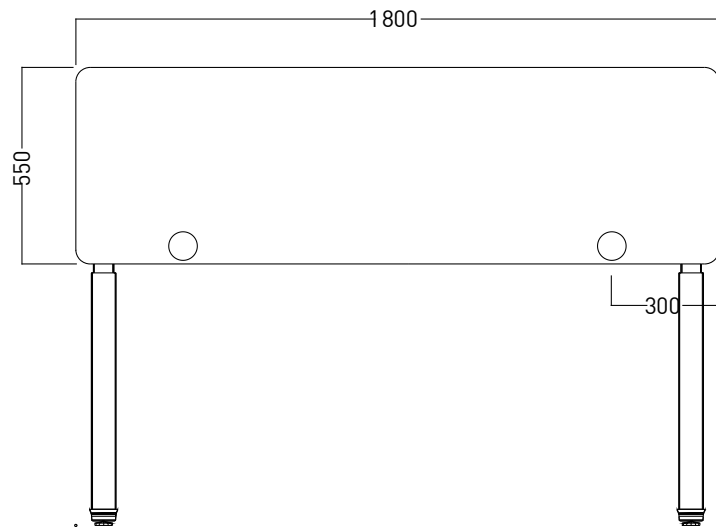
SUPRA is held by powder coated circular brackets that can be mounted to any standard workstation tabletop.



**SIDE**



**FRONT**



# ARCHISONIC®

## Colour Families

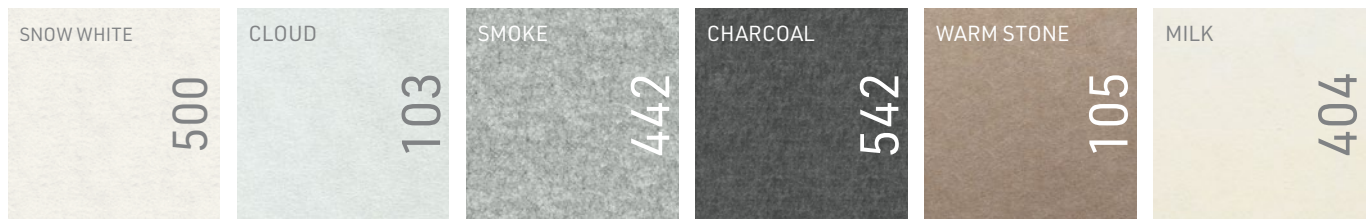
ARCHISONIC® is a high-performance sustainable acoustic absorber made from upcycled plastic bottles which is Cradle to Cradle certified and LEED accredited.

ARCHISONIC® is manufactured at the highest quality standards, yet slight color and surface deviations caused by the high degree of recycled fiber are an inevitable part of the product characteristics and do not claim warranty services.

Material varies in colour when shown in monitor or in print. Please request a material sample to verify colours.

### QUIET NEUTRALS

24 mm



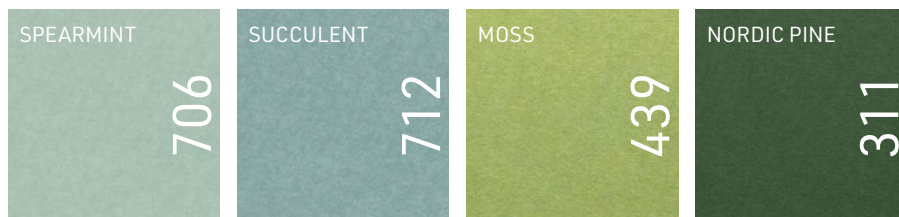
### WARM NEUTRALS

24 mm



### LIVING GREENS

24 mm



### ELEMENTAL BLUES

24 mm



## SOOTHING PASTELS

24 mm



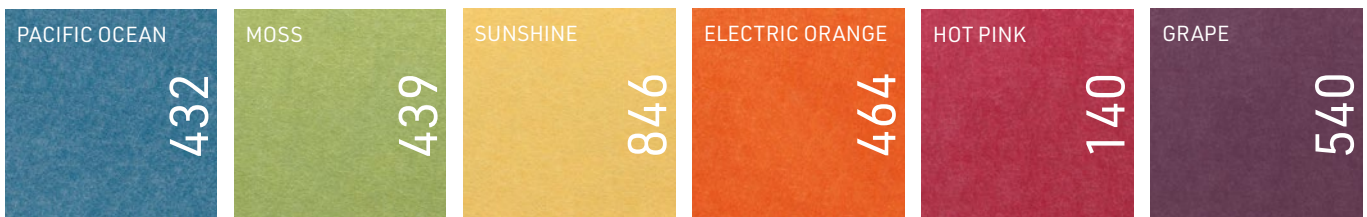
## ELEGANT DARKS

24 mm



## ENERGETIC BRIGHTS

24 mm



## PRIMARY PLAY

24 mm



## DIMENSIONS

ARCHISONIC® 24 mm 1800 x 2400 x 24 mm (70" x 94" x 0.94")  
ARCHISONIC® 12 mm 1200 x 2800 x 12 mm (47" x 10" x 0.47")

## COMPOSITION

100% PET (min. 60% post-consumer)

## FIRE TEST

DIN EN 13501-1 B-s1, d0  
ASTM E-84 Class A

## VOC EMISSION

CDPH 01350 Pass  
ISO 16000 (CDPH/EHLB/Standard Method V1.2.)  
EN 16516

## COLOUR FASTENESS

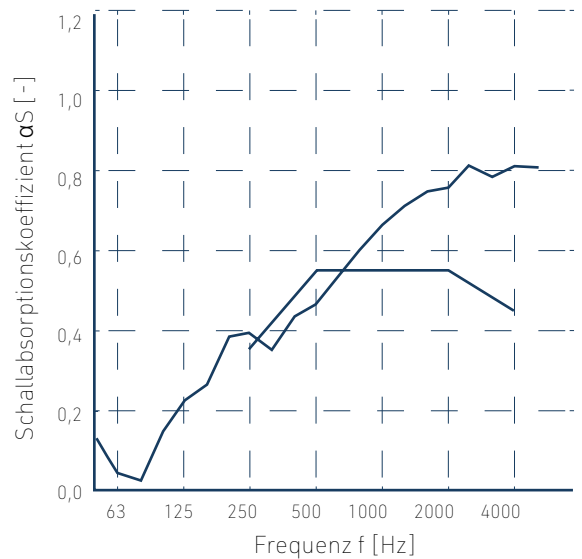
EN ISO 105-B02, A1 Grade 6

## SOUND ABSORPTION

DIN ISO 11654

24 mm aw 0.55 (no air gap)  
aw 0.65 (50 mm / 2" air gap)  
aw 0.90 (100 mm / 4" air gap)  
aw 0.95 (200 mm / 8" air gap)  
aw 0.95 (300 mm / 11" air gap).

12 mm aw 0.30 (no air gap)



## MATERIAL REUTILISATION

ARCHISONIC® 24 mm 88 plastic bottles/m<sup>2</sup>  
ARCHISONIC® 12 mm 53 plastic bottles/m<sup>2</sup>

## ENVIRONMENTAL

Cradle to Cradle Certified™  
Product qualifies for LEED v4 specifications on VOC emissions in LEED EQ credit (Low-emitting products)

## SUPPORTED BY

Climate KIC

